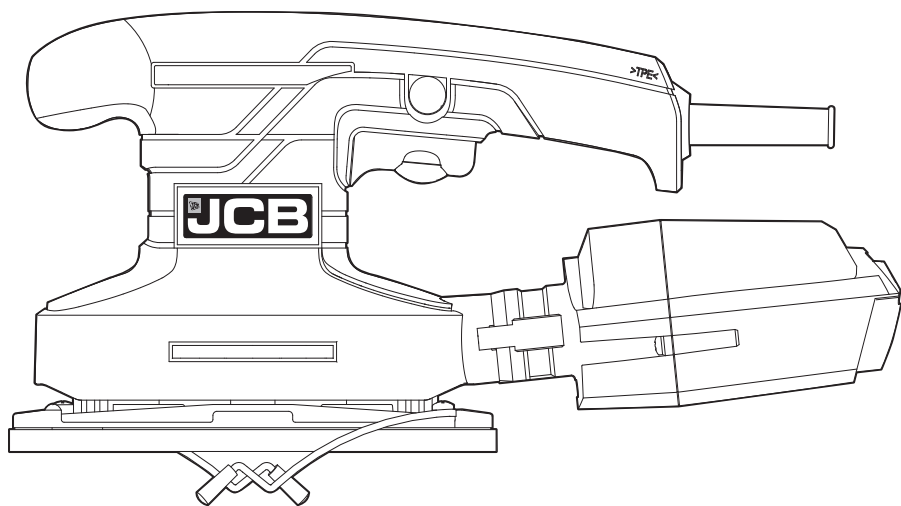




Safety and operating manual

1/3 Sheet Sander

JCB-SS280



JCB, SO53 3LE

www.jcb-tools.com

Customer Helpline 0333 0143092

ORIGINAL INSTRUCTIONS

GENERAL POWER TOOL SAFETY WARNINGS



WARNING! Read all safety warnings and all instructions.

Failure to follow the warnings and instructions may result in electric shock, fire and/or serious injury.

Save all warnings and instructions for future reference.

The term "power tool" in the warnings refers to your electric (corded) power tool or battery-operated (cordless) power tool.

1. Work area safety

- a) **Keep work area clean and well lit.** Cluttered or dark areas invite accidents.
- b) **Do not operate power tools in explosive atmospheres, such as in the presence of flammable liquids, gases or dust.** Power tools create sparks which may ignite the dust or fumes.
- c) **Keep children and bystanders away while operating a power tool.** Distractions can cause you to lose control.

2. Electrical safety

- a) **Power tool plugs must match the outlet. Never modify the plug in any way. Do not use any adapter plugs with grounded power tools.** Unmodified plugs and matching outlets will reduce risk of electric shock.

- b) **Avoid body contact with grounded surfaces, such as pipes, radiators, ranges and refrigerators.** There is an increased risk of electric shock if your body is grounded.

- c) **Do not expose power tools to rain or wet conditions.** Water entering a power tool will increase the risk of electric shock.

- d) **Do not abuse the cord. Never use the cord for carrying, pulling or unplugging the power tool.** Keep cord away from heat, oil, sharp edges or moving parts. Damaged or entangled cords increase the risk of electric shock.

- e) **When operating a power tool outdoors, use an extension cord suitable for outdoor use.** Use of a cord suitable for outdoor use reduces the risk of electric shock.

- f) **If operating a power tool in a damp location is unavoidable, use a residual current device (RCD) protected supply.** Use of an RCD reduces the risk of electric shock.

3. Personal safety

- a) **Stay alert, watch what you are doing and use common sense when operating a power tool. Do not use a power tool while you are tired or under the influence of drugs, alcohol or medication.** A moment of inattention while

operating power tools may result in serious personal injury.

b) Use personal protective equipment. Always wear eye protection. Protective equipment such as dust mask, non-skid safety shoes, hard hat, or hearing protection used for appropriate conditions will reduce personal injuries.

c) Prevent unintentional starting. Ensure the switch is in the off-position before connecting to power source and/or battery pack, picking up or carrying the tool. Carrying power tools with your finger on the switch or energising power tools that have the switch on invites accidents.

d) Remove any adjusting key or wrench before turning the power tool on. A wrench or a key left attached to a rotating part of the power tool may result in personal injury.

e) Do not overreach. Keep proper footing and balance at all times. This enables better control of the power tool in unexpected situations.

f) Dress properly. Do not wear loose clothing or jewellery. Keep your hair, clothing and gloves away from moving parts. Loose clothes, jewellery or long hair can be caught in moving parts.

g) If devices are provided for the connection of dust extraction and

collection facilities, ensure these are connected and properly used. Use of dust collection can reduce dust-related hazards.

4. Power tool use and care

a) Do not force the power tool. Use the correct power tool for your application. The correct power tool will do the job better and safer at the rate for which it was designed.

b) Do not use the power tool if the switch does not turn it on and off. Any power tool that cannot be controlled with the switch is dangerous and must be repaired.

c) Disconnect the plug from the power source and/or the battery pack from the power tool before making any adjustments, changing accessories, or storing power tools. Such preventive safety measures reduce the risk of starting the power tool accidentally.

d) Store idle power tools out of the reach of children and do not allow persons unfamiliar with the power tool or these instructions to operate the power tool. Power tools are dangerous in the hands of untrained users.

e) Maintain power tools. Check for misalignment or binding of moving parts, breakage of parts and any other condition that may affect the power tool's operation.

If damaged, have the power tool repaired before use. Many accidents are caused by poorly maintained power tools.

f) Keep cutting tools sharp and clean. Properly maintained cutting tools with sharp cutting edges are less likely to bind and are easier to control.

g) Use the power tool, accessories and tool bits etc. in accordance with these instructions, taking into account the working conditions and the work to be performed. Use of the power tool for operations different from those intended could result in a hazardous situation.

5. Service

a) Have your power tool serviced by a qualified repair person using only identical replacement parts. This will ensure that the safety of the power tool is maintained.

SYMBOLS



To reduce the risk of injury, user must read instruction manual



Warning



Wear ear protection



Wear eye protection

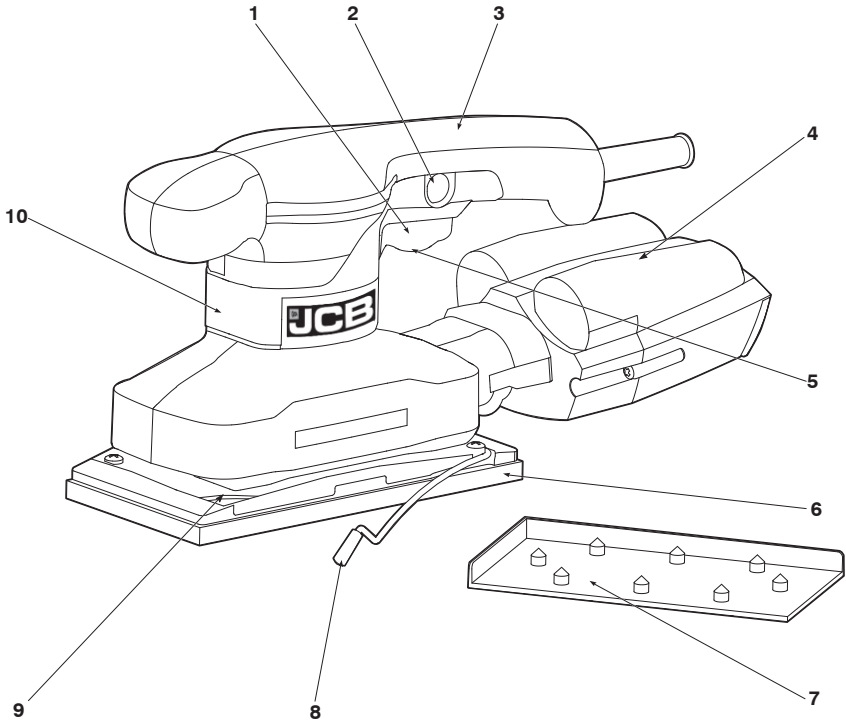


Wear dust mask



Double insulation

COMPONENT LIST



1. ON-OFF SWITCH
2. LOCK-ON BUTTON
3. SOFT GRIP HANDLE
4. CYCLONIC DUST BOX
5. VARIABLE SPEED CONTROL
6. BASE PLATE
7. PAPER PUNCH
8. CLAMP LEVER
9. SANDING PAPER CLAMP
10. MOTOR HOUSING
11. SANDING PAPER (MESH SANDING SHEET)* (See A1.A2)

***Not all the accessories illustrated or described are included in standard delivery.**

TECHNICAL DATA

Voltage	230-240V~50Hz
Power input	280W
No load speed	6000-12000/min
Base size	92x187mm
Orbital diameter	2.4mm
Protection class	□ /II
Machine weight	1.8kg

NOISE INFORMATION

A weighted sound pressure L_{pA} : 83dB(A)

A weighted sound power L_{wA} : 94dB(A)


K_{pA} & K_{wA} = 3.0dB(A)

Wear ear protection when sound pressure is over: 80dB(A) 

VIBRATION INFORMATION

Vibration total values (triax vector sum) determined according to EN 60745:	
Typical weighted vibration	Vibration emission value $a_h = 5,52\text{m/s}^2$
	Uncertainty $K = 1.5\text{m/s}^2$

- The declared vibration total value has been measured in accordance with a standard test method and may be used for comparing one tool with another;
- The declared vibration total value may also be used in a preliminary assessment of exposure.

 **WARNING:** The vibration emission value during actual use of the power tool can differ from the declared value depending on the ways in which the tool is used dependant on the following examples and other variations on how the tool is used:
How the tool is used and the materials being cut or drilled.
The tool being in good condition and well maintained.
The use the correct accessory for the tool and ensuring it is sharp and in good condition.
The tightness of the grip on the handles and if any anti vibration accessories are used.

JCB, SO53 3LE

www.jcb-tools.com

Customer Helpline 0333 0143092

And the tool is being used as intended by its design and these instructions.

This tool may cause hand-arm vibration syndrome if its use is not adequately managed.



WARNING: To be accurate, an estimation of exposure level in the actual conditions of use should also take account of all parts of the operating cycle such as the times when the tool is switched off and when it is running idle but not actually doing the job. This may significantly reduce the exposure level over the total working period.

Help to minimize your vibration exposure risk.

ALWAYS use sharp chisels, drills and blades.

Maintain this tool in accordance with these instructions and keep well lubricated (where appropriate).

If the tool is to be used regularly then invest in anti vibration accessories.

Avoid using tools in temperatures of 10°C or less.

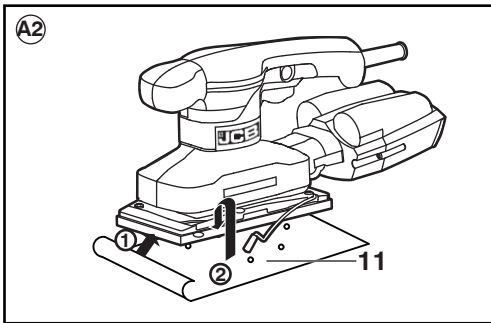
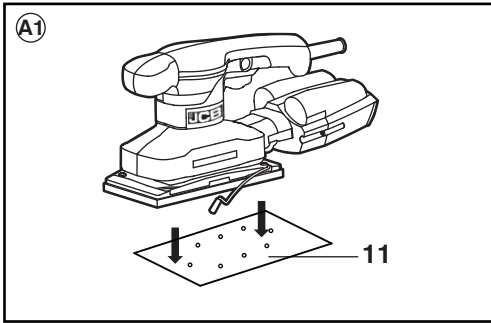
Plan your work schedule to spread any high vibration tool use across a number of days.

ACCESSORIES

Mesh sanding sheet(80 grit)	3
Cyclonic dust box	1
Vacuum adaptor	1
Paper punch	1

We recommend that you purchase your accessories from the same store that sold you the tool. Use good quality accessories marked with a well-known brand name. Choose the type according to the work you intend to undertake. Refer to the accessory packaging for further details. Store personnel can assist you and offer advice.

OPERATING INSTRUCTIONS



NOTE: Before using the tool, read the safety and operating manual carefully.

INTENDED USE

The machine is intended for dry sanding of wood, plastic, filler and coated surfaces.

ASSEMBLY

1. FIT THE SANDING PAPER A) MESH SANDING SHEET (WITH HOOK & LOOP SYSTEM)(See A1)

The mesh sanding sheet are placed directly onto the base plate. Before placing on the mesh sanding sheet, free the base plate from dust/debris by lightly tapping against it.

B) SANDING PAPER WITHOUT HOOK & LOOP SYSTEM (SEE A2)

Lightly lift the clamp lever (8) and unlatch it.

Slide the sanding paper under the sand paper clamp lever and reinsert the clamp lever (8).

Make sure that the sanding paper faces firmly against the base plate. Fold the sanding paper around and clamp the other end in the same manner.

Sanding paper without holes, e. g. from rolls or by the meter, can be punctured with the paper punch for use with dust extraction.

2. REMOVE THE SANDING PAPER

A) MESH SANDING SHEET (WITH HOOK & LOOP SYSTEM)

Simply remove the mesh sanding sheet directly.

B) SANDING PAPER WITHOUT HOOK & LOOP SYSTEM

To remove the sanding paper, lift up the clamp lever and move away from the clamp lever lock. The sanding paper clamp is now loose. Repeat with the other clamp on the opposite side of your sander.

3. PAPER PUNCH

If using sanding paper without dust holes, use the paper punch to perforate the holes to ensure correct dust extraction. Position the punch (7) over the base plate with the punch sides on the edges of the base plate. Press the punch into the base plate to punch holes into the sanding paper. Then remove the punch and check all the holes have been formed correctly.

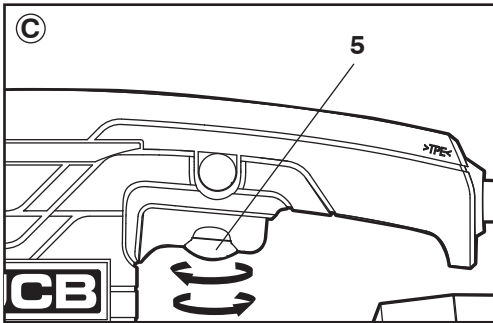
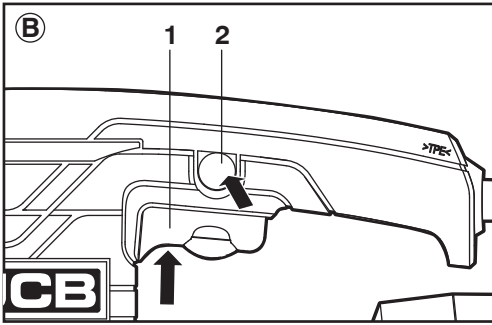
OPERATION

1. ON /OFF SWITCH

Depress to start and release to stop your tool.

2. SWITCH LOCK-ON BUTTON

Depress on/off switch (1) then lock-



on button (2) (See B), release on/off switch first and lock-on button second. Your switch is now locked on for continuous use. To switch off your sander just depress and release the on/off switch.

3. VARIABLE SPEED CONTROL (See C)

With the variable speed control (5), the required speed can be selected (also while running).

The required speed is dependent on the material and is to be determined by a practical trial.

After longer periods of working at low speed, allow the machine to cool down by running it for approx. 3 minutes at maximum speed with no load.

Sanding work	Grain		Speed setting (opm)
	Coarse sanding	Precision sanding	
Sanding down varnishes	180	400	8700~12000
Stripping paint	40	120	9800~12000
Touching up paintwork	120	120	7600~10000
Sanding wood	60	240	7600~12000
Machining veneer	180	400	8700~11000
Sanding aluminium	80	240	7600~11000
Derusting metal	40	120	9800~12000
Sanding metal and steel	120	240	9800~12000
Sanding plexiglass	180	400	6500~8700

4. CYCLONIC DUST BOX (See D)

A) ATTACH THE CYCLONIC DUST BOX

Your sander is equipped with a cyclonic dust box. To attach, slide the box onto the outlet piece and take care that the latching lever engages.



Caution:

To prevent the possibility of sanding dust or foreign body being thrown into your face or eyes, never attempt to use your sander without the dust box properly installed.

B) EMPTY THE CYCLONIC DUST BOX (See E1,E2)

For more efficient operation, empty the cyclonic dust box every 5-10mins. This will permit the air to flow through the box better.

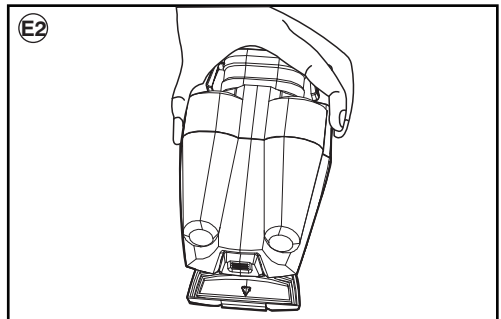
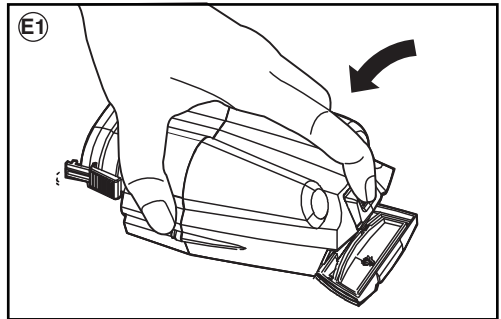
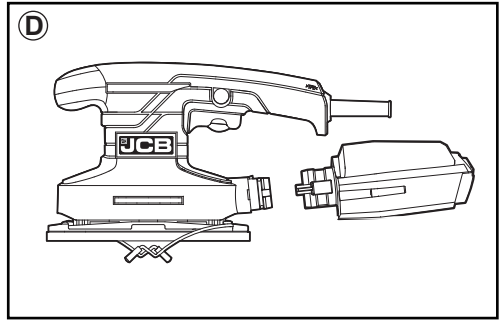
To empty the box, press the latching lever in and pull off the box. Then press the button at the rear of the box to open it, and shake out dust.

5. FLUSH SANDING FACILITY

Your sander can sand flush on three sides of the base plate which allows easy access to corners and edges of mouldings.

6. ORBITAL SANDING

Your sander operates in small circular rotations which allows efficient material removal. Operate your sander in long sweeping



movements across your work piece and evenly across the grain. For a finer finish, always use a fine grit sanding paper and only move the sander in the direction of the grain and never across the grain. Do not allow your sander to remain in the same position otherwise you will remove material and create an uneven surface.

WORKING HINTS FOR YOUR FINISHING SANDER

If your power tool becomes too hot, especially when used at low speed, set the speed to maximum and run it with no load for 2-3 minutes to cool the motor. Avoid prolonged usage at very low speeds. Always use sand paper that is suitable for the material you want to sand.

Always ensure the work-piece is firmly held or clamped to prevent movement.

Any movement of the material may affect the quality of the sanding finish.

Start your sander before sanding and turn it off only after you stop sanding. For the best results, sand wood in the direction of the grain.

Do not start sanding without having the sandpaper fitted.

Do not allow the sandpaper to wear away it will damage the base-plate. The guarantee does not cover base-plate wear and tear.

Use coarse grit paper to sand rough surfaces, medium grit for smooth surfaces and fine grit for the final surfaces. If necessary, first make a test run on scrap material.

Use only good quality sandpaper.

The sandpaper controls the sanding efficiency, not the amount of force you apply to the tool. Excessive force will reduce the sanding efficiency and cause motor overload. Replacing the sandpaper regularly will maintain optimum sanding efficiency.

MAINTENANCE

Remove the plug from the socket before carrying out any adjustment, servicing or maintenance.

Your power tool requires no additional lubrication or maintenance. There are no user serviceable parts in your power tool. Never use water or chemical cleaners to clean your power tool. Wipe clean with a dry cloth. Always store your power tool in a dry place. Keep the motor ventilation slots clean. Keep all working controls free of dust. Occasionally you may see sparks through the ventilation slots. This is normal. If the supply cord is damaged, it must be replaced by the manufacturer, its service agent or similarly qualified persons in order to avoid a hazard.

ENVIRONMENTAL PROTECTION



Waste electrical products should not be disposed of with household waste. Please recycle where facilities exist. Check with your local authorities or retailer for recycling advice.

PLUG REPLACEMENT (UK & IRELAND ONLY)

If you need to replace the fitted plug then follow the instructions below.

IMPORTANT

The wires in the mains lead are colored in accordance with the following code:

Blue – Neutral

Brown – Live

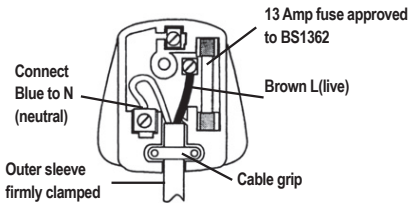
As the colors of the wires in the mains lead of this appliance may not correspond with the coloured markings identifying the terminals in your plug, proceed as follows. The wire which is coloured blue must be connected to the terminal which is marked with N. The wire which is coloured brown must be connected to the terminal which is marked with L.



Warning:

Never connect live or neutral wires to the earth terminal of the plug. Only fit an approved BS1363/A plug and the correct rated fuse.

Note: If a moulded plug is fitted and has to be removed take great care in disposing of the plug and severed cable, it must be destroyed to prevent engaging into a socket.



WARRANTY STATEMENT

A product of hard work

In every corner of the world you'll find a JCB machine. Since our beginnings in 1945, we have always invested heavily in research and development, keeping JCB at the cutting edge of innovation. Today, JCB has some of the finest engineering facilities across the globe, producing a range of over 300 machines and maintains a reputation for unrivaled customer service. The same innovation to always get the job done better, the same quality to never let you down, the same engineering heritage and expertise that you can trust, can be found in JCB Power Tools. JCB power tools are guaranteed against manufacturing defects for a period of 3 years from the date of purchase.

If your JCB power tool becomes defective within this warranty period, we guarantee to:

- Replace or repair all defective parts, free of charge, or
- Repair products free of charge, or
- Replace the unit with a new or re-conditioned unit, free of charge.

Conditions

Your 3 year guarantee does not cover defects caused by or resulting from:

- overload, misuse, or neglect
- normal wear and tear, including accessory wear
- hire use
- repairs attempted by anyone other than an authorised agent
- damage caused by foreign objects, substances or accidents

Your 3 year guarantee does not cover:

- battery packs as they are guaranteed for a 12 month period
- accessories supplied with the power tool.

Warranty claims

For guarantee claims, please contact JCB Customer Services. You will be required to submit proof of purchase.

JCB CUSTOMER HELPLINE 0333 0143092

Terms

This guarantee does not affect your statutory rights. JCB SO53 3LE (Registered in England under No. 973387).

EC DECLARATION OF CONFORMITY

We,
Positec Power Tools (Europe) Ltd
PO Box 6242, Newbury, RG14 9LT, UK

Declare that the product

Description

JCB 1/3 Sheet Sander

Type

(JCB-SS280)

Function

Removing surface material using an abrasive medium

Complies with the following Directives,

EC Machinery Directive

2006/42/EC

EC Electromagnetic Compatibility Directive

2014/30/EU

RoHS Directive

2011/65/EU

Standards conform to

EN 60745-1

EN 60745-2-4

EN 55014-1

EN 55014-2

EN 61000-3-2

EN 61000-3-3

The person authorised to compile the technical file,

Name: Russell Nicholson

Address: Positec Power Tools (Europe) Ltd

PO Box 6242, Newbury, RG14 9LT, UK



Suzhou 2016/01/11

Allen Ding

Deputy Chief Engineer, Testing & Certification

